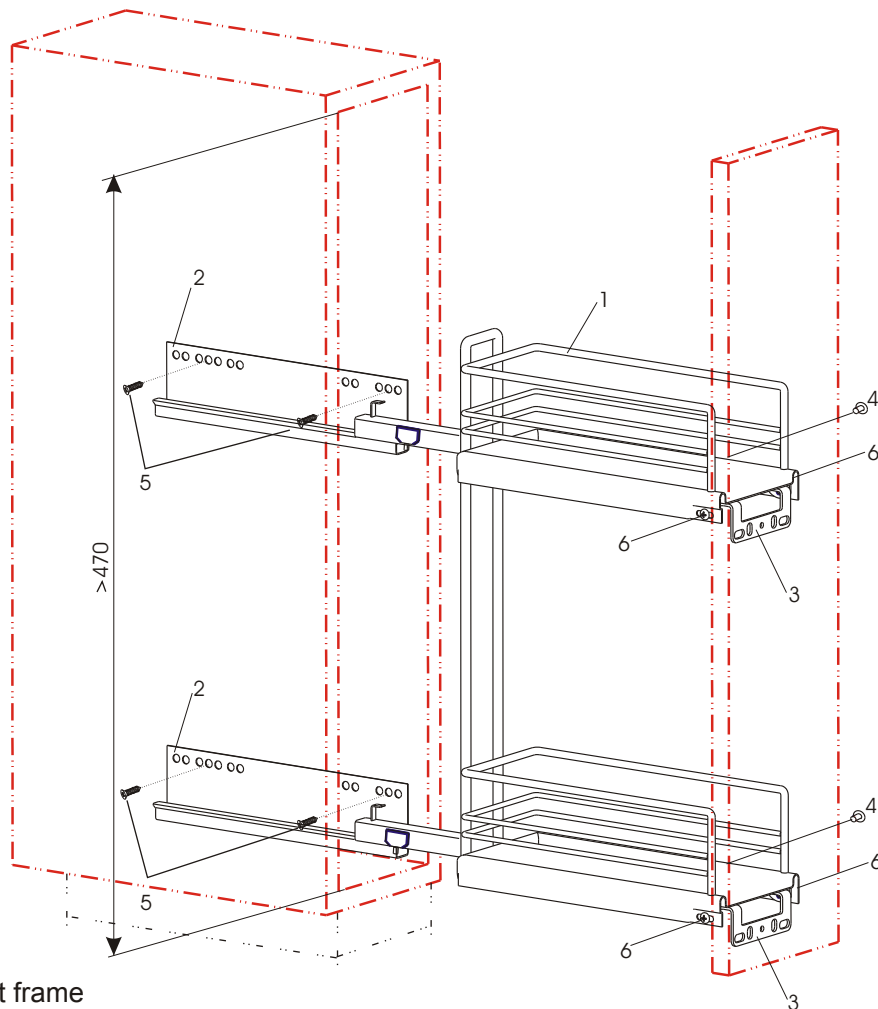


Mounting Instructions KWP150C



1-pull-out frame

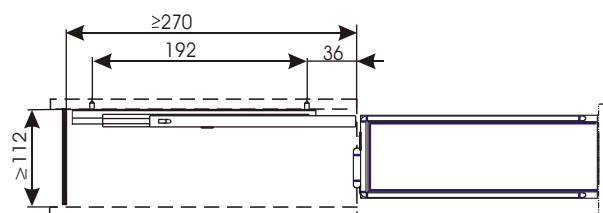
2- pull-out slide

3- front connection

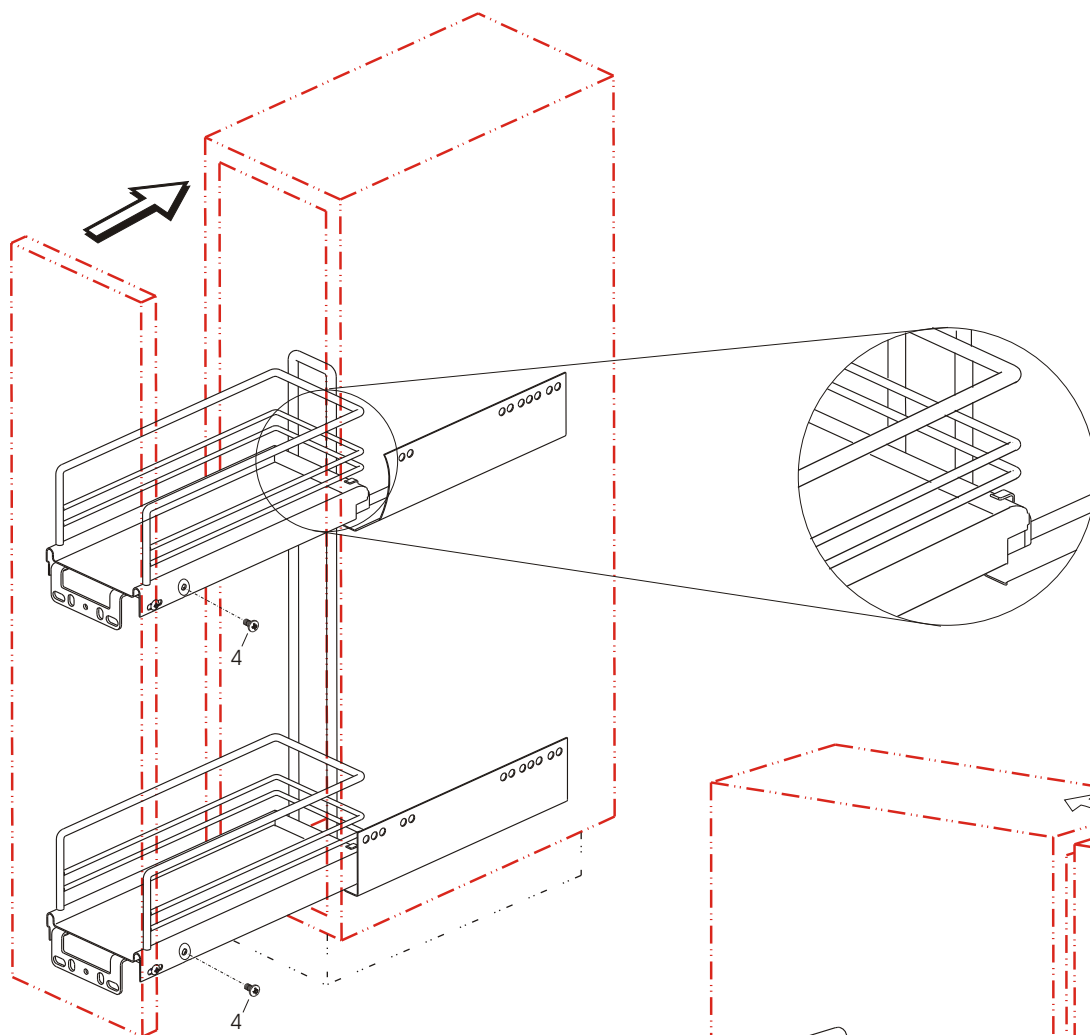
4-Sp-tooth screw VZ M4x4

5- Spax screw $\varnothing 4$ / Euro-screw $\varnothing 6,3$
(not include in the delivery)

6-souser-head screw M4x7



C. Mounting of the pull-out frame with slide



D. Adjustment of the front

