

# Mounting instructions for base unit (left hand shown, right hand mirror inverted)

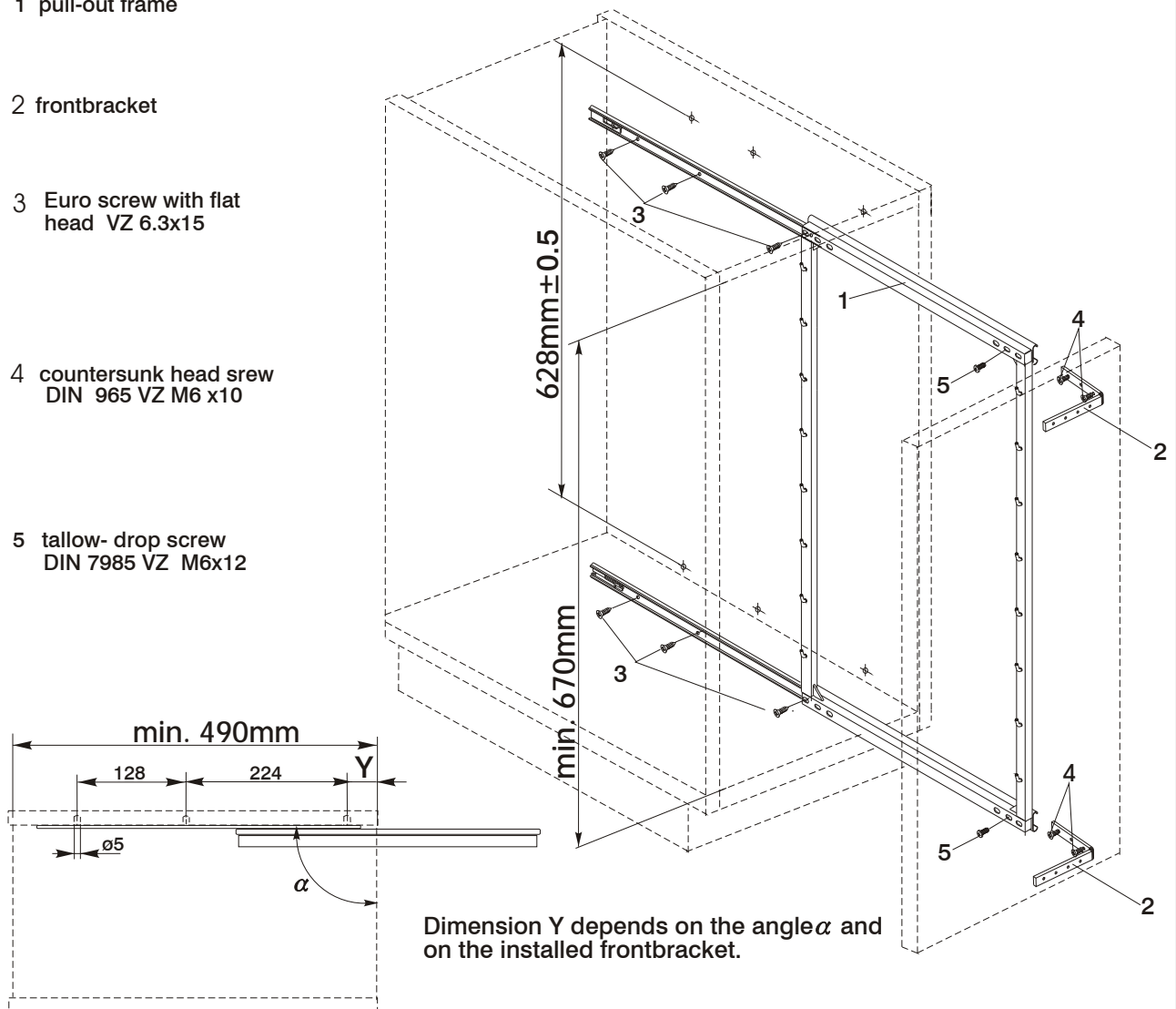
1 pull-out frame

2 frontbracket

3 Euro screw with flat head VZ 6.3x15

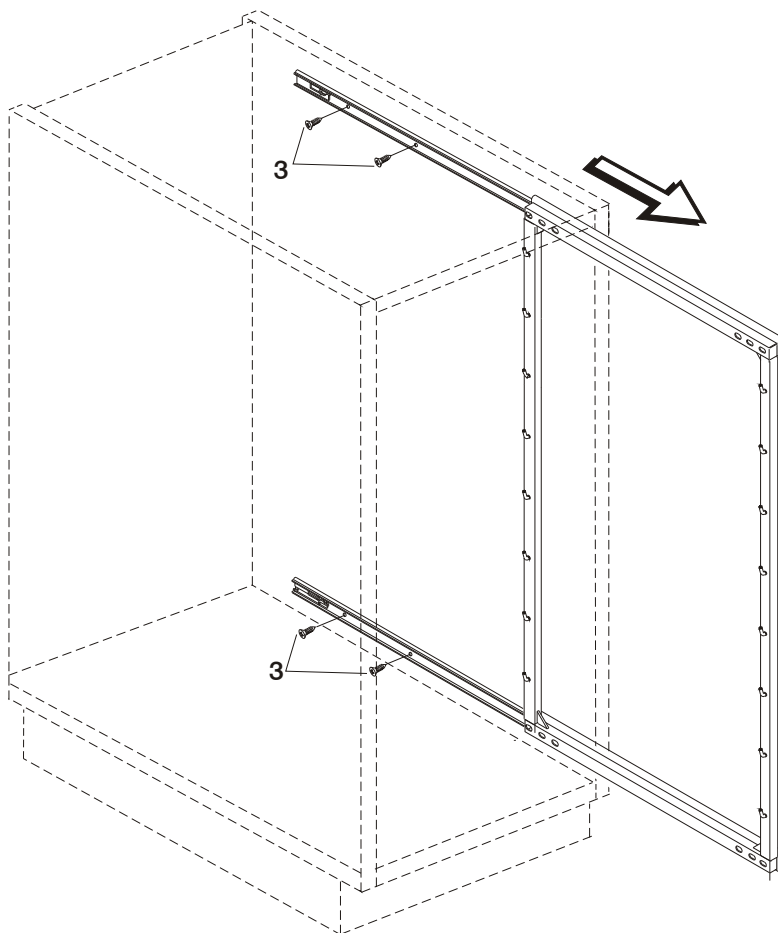
4 countersunk head srew DIN 965 VZ M6 x10

5 tallow- drop screw DIN 7985 VZ M6x12

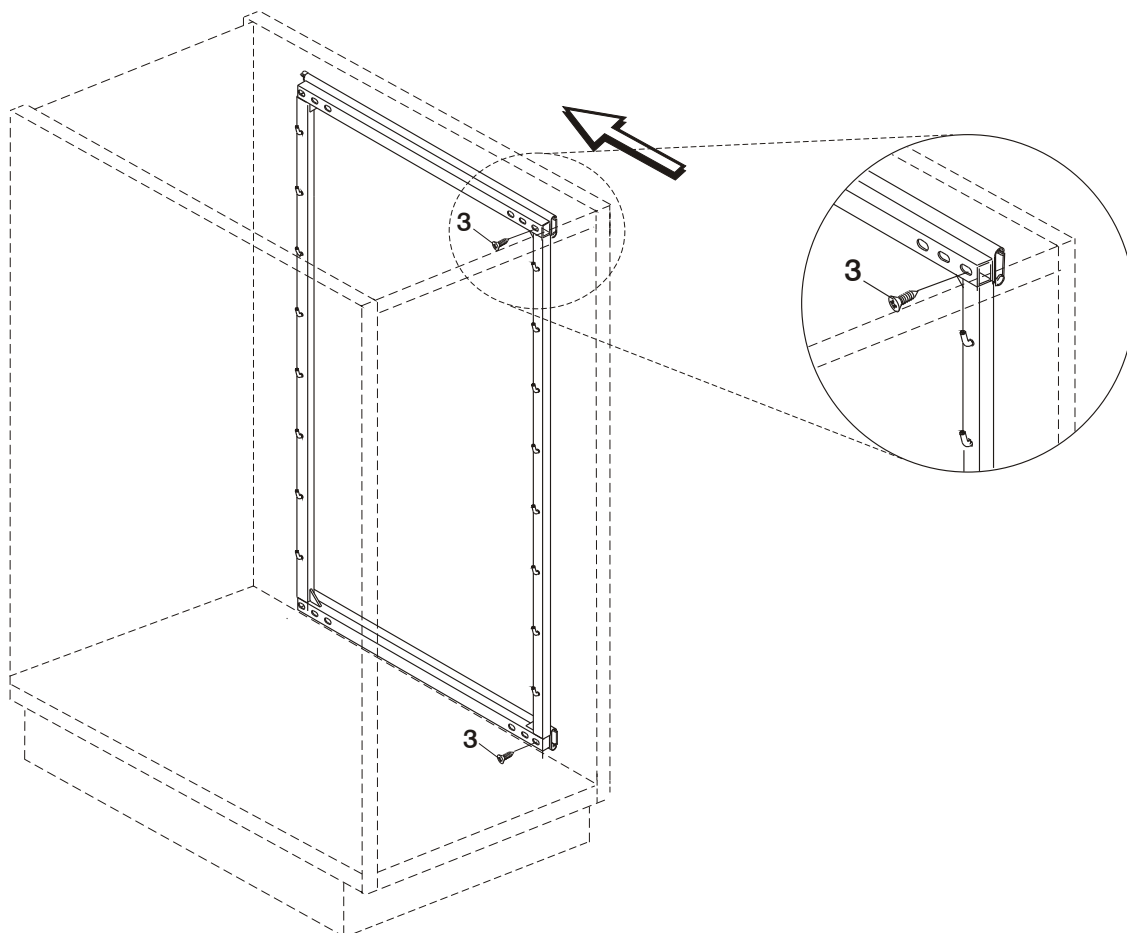


## A. Installing the slide

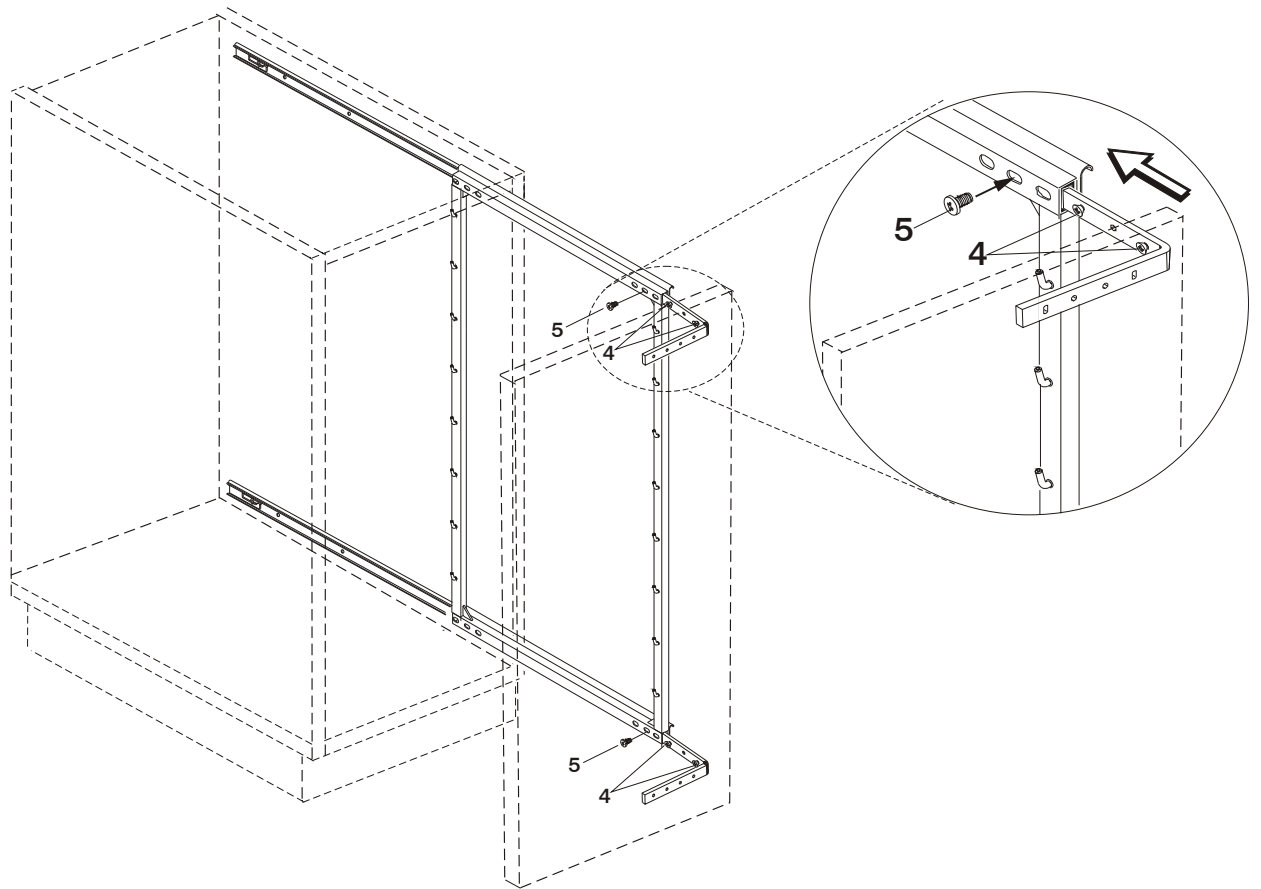
Pull out the frame and fix the slide (3) with screws.



Slide the frame in to the unit and fix with screws.



**B. Fix the front bracket to the door.**



**C. Adjustment of the front**

4 - adjusting screw    5 - fixing screw

