

WARICORNER

patent protected

Cabinet dimensions

External width	min : 900 mm
Internal depth	min : 480 mm
Internal height	min : 530 mm

Installation measurements

heights:	
WACO 2	530 mm (4 baskets)

Basket dimensions (Sapphire, opal and scalea)

	basket width	basket depth	basket height
Front basket	450	305	75
Cabinet basket	430	370	75

Specifications

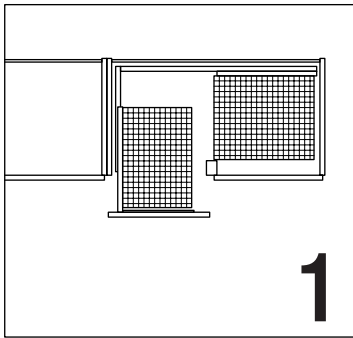
Fittings	: full extension
Damping	: available as an option

Load capacity of baskets:

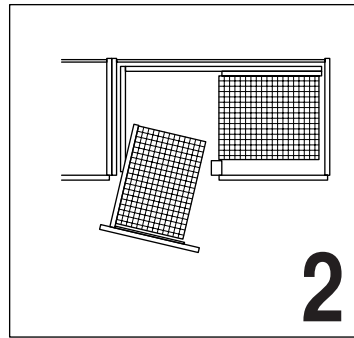
Front baskets	5 kg
Rear baskets	12,5 kg

Baskets : Sapphire, opal and scalea

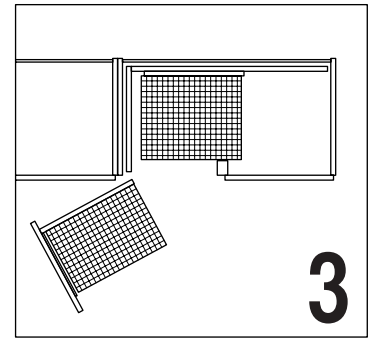
chrome
RAL 9006 silver clear coat
RAL 9010 white
Light gold



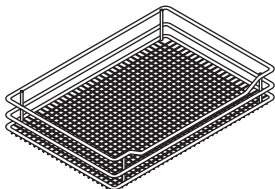
1



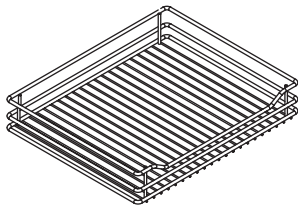
2



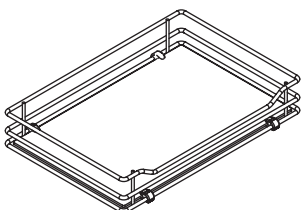
3



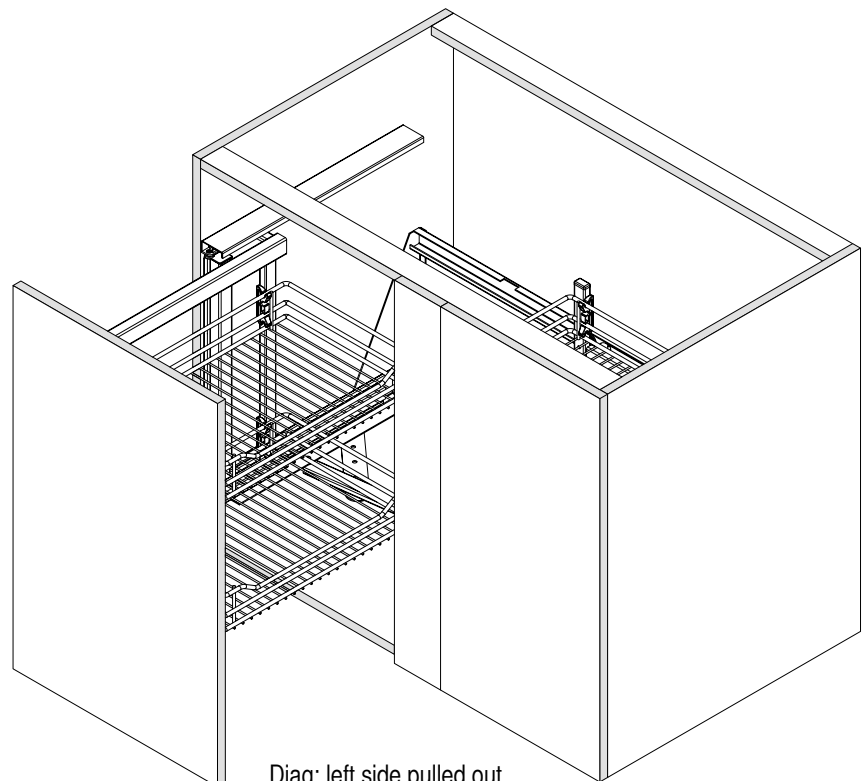
Sapphire basket



Opal basket



Scalea basket



Diag: left side pulled out



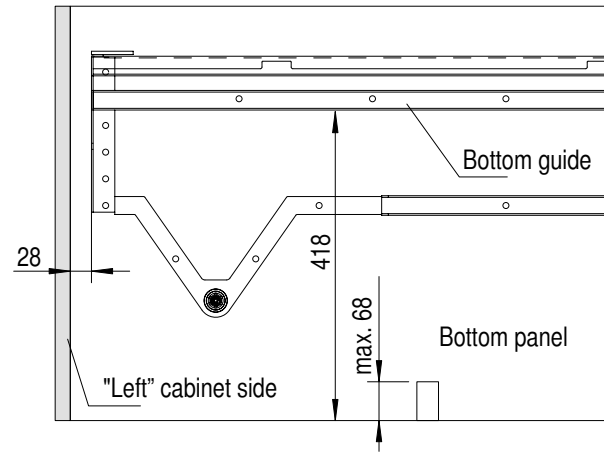
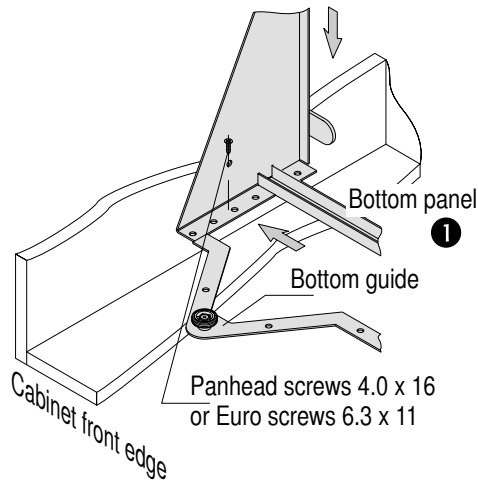


1 Bottom guide installation

Screw bottom guide to bottom panel 418 mm from cabinet front edge and 28 mm from left cabinet side panel (right with right-hand layout) with 10 screws.

Fastening materials:

Panhead screws 4.0 x 16 or Euro screws 6.3 x 11

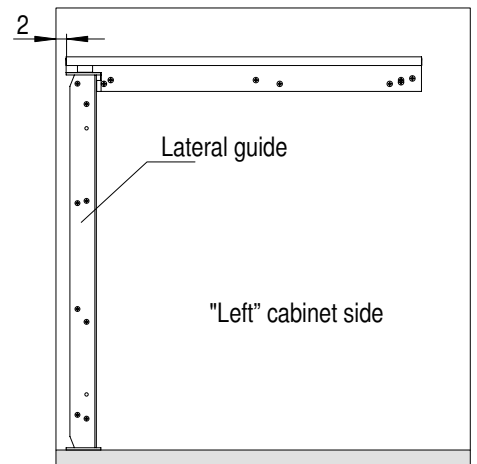
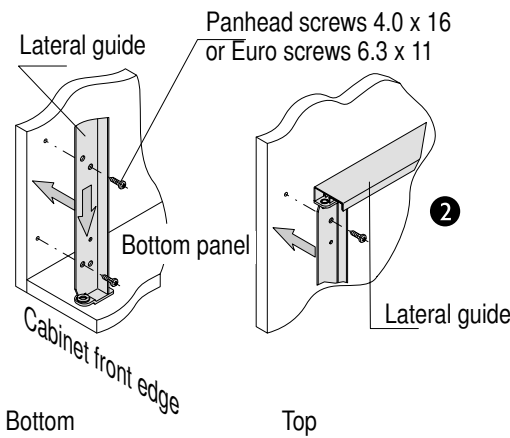


2 Lateral guide installation

Screw lateral guide to cabinet side panel 2mm from cabinet front edge with 7 screws.

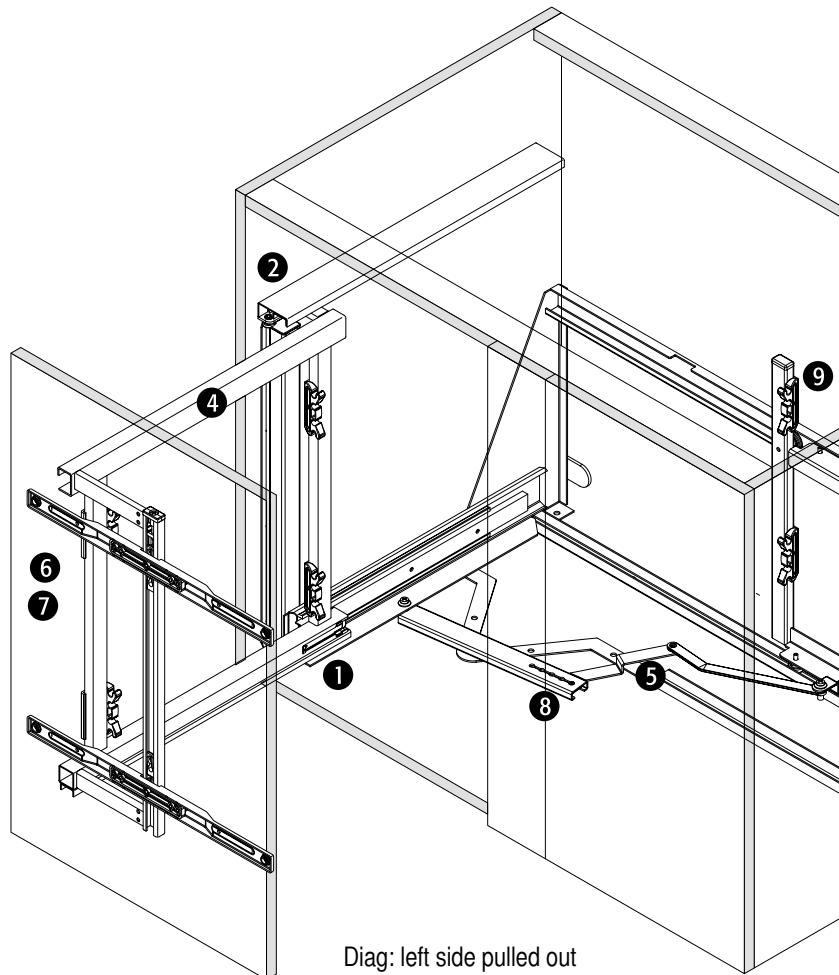
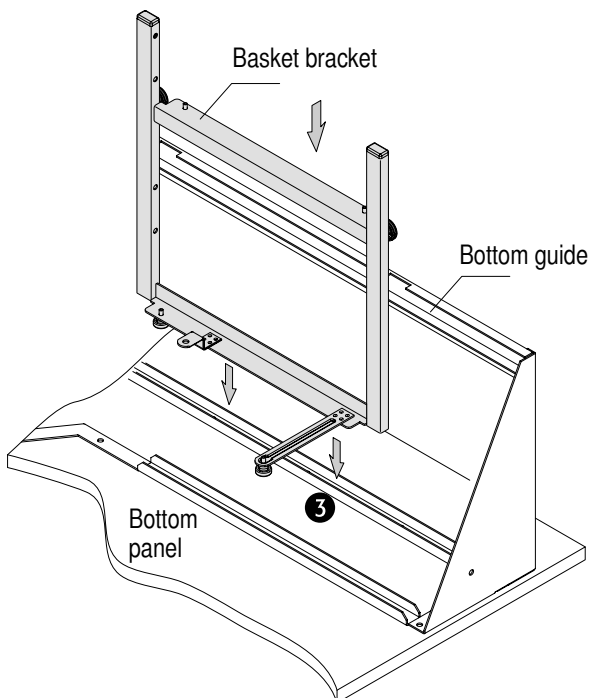
Fixing materials:

Panhead screws 4.0 x 16 or Euro screws 6.3 x 11

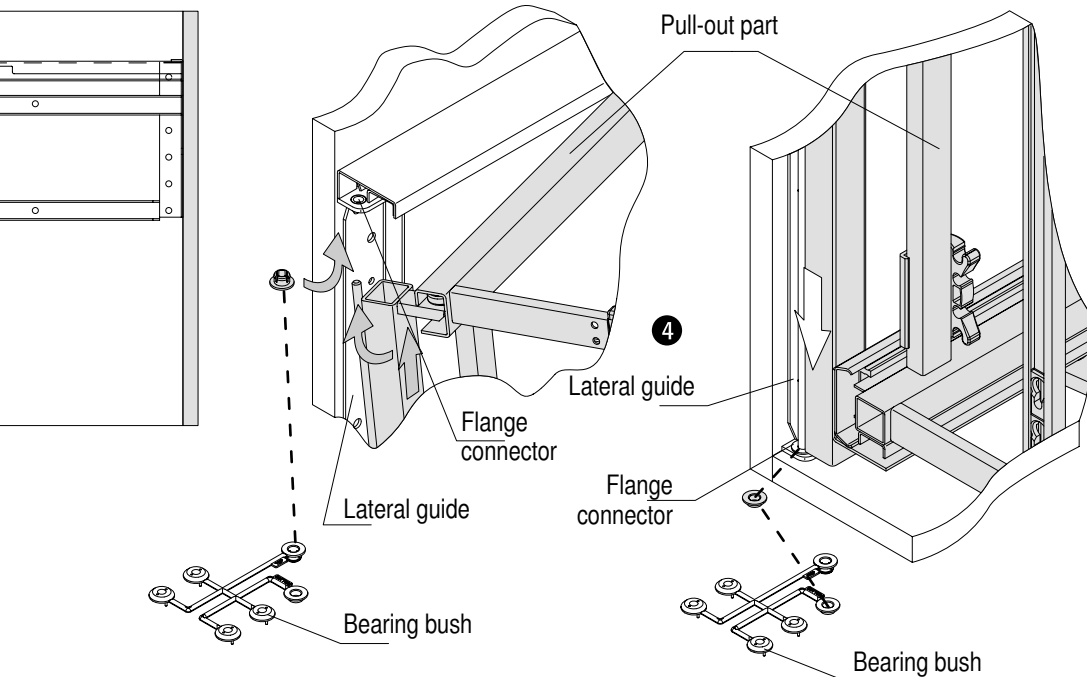


3 Basket bracket installation in bottom guide

Insert basket bracket centrally through cut-outs in the bottom guide. Ensure that rollers run in the guides!



Diag: left side pulled out

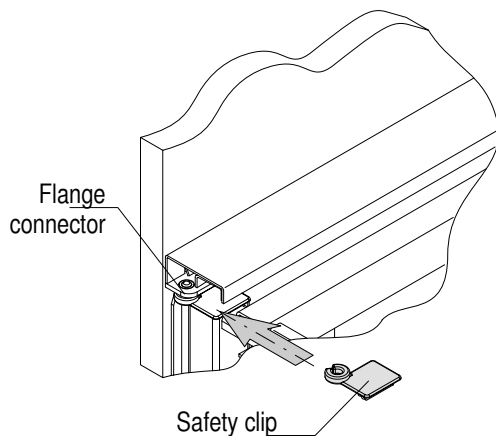


4 Pull-out part installation

Push Plastic Flange Connectors into top and bottom holes of the lateral guide. Insert the pull-out part at a slight angle into the upper flange connector of the lateral guide, ensuring that the rear guide roller runs in the guide. Now straighten the pull-out part and push into the lower flange connector of the lateral guide. To secure, press in the cover cap with integrated safety clip under the Top flange connector.

Fixing materials:

Plastic Flange connectors
Cover cap with safety clip



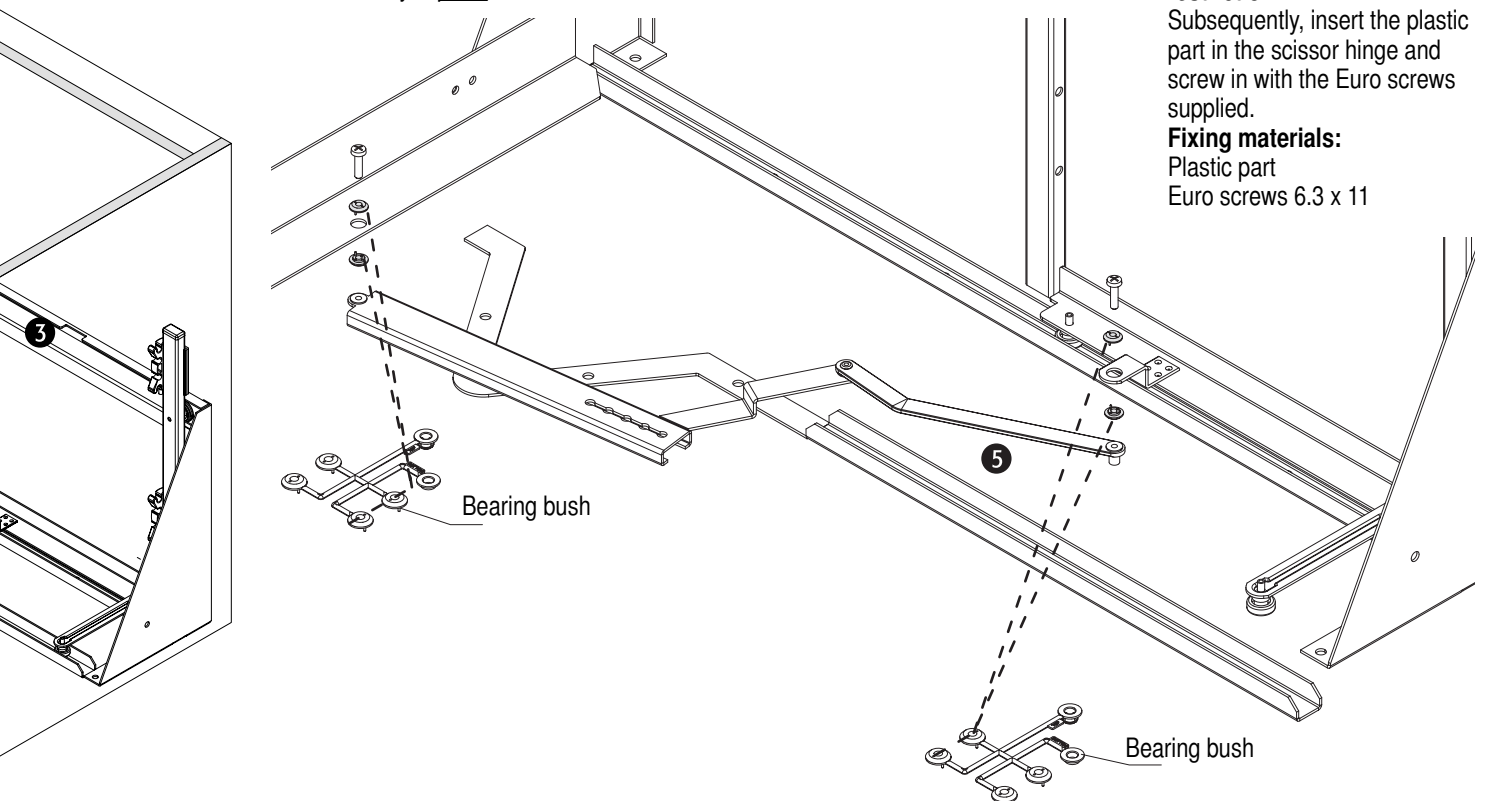
5 Scissor hinge installation

Detach plastic insert and euro screw firstly before trying to locate scissor hinge onto guide roller.

Push the scissor hinge onto the guide roller and screw to basket bracket and pull-out part with screws provided.

Fixing materials:

Bearing bushes
Panhead threaded screws
M5 x 12

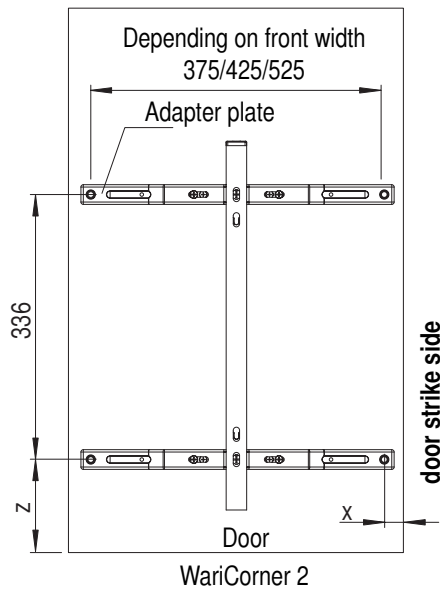


Important for opening restriction:

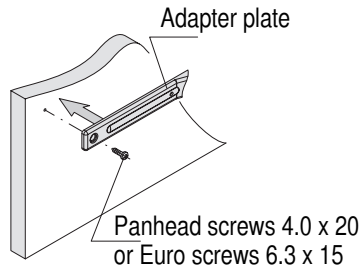
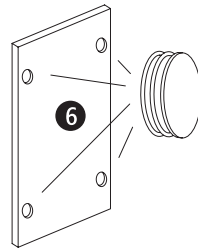
Subsequently, insert the plastic part in the scissor hinge and screw in with the Euro screws supplied.

Fixing materials:

Plastic part
Euro screws 6.3 x 11



X = 22,5 mm + door overlap
Z = 106 mm + door overlap



6 If there are drilled holes for hinges on the inside of the front panel use the plastic Caps to fill these holes (do not use the plastic caps of the cabinet or frontpanel).

If necessary drill and screw the adapter plate directly into the plastic cap.

Finally:

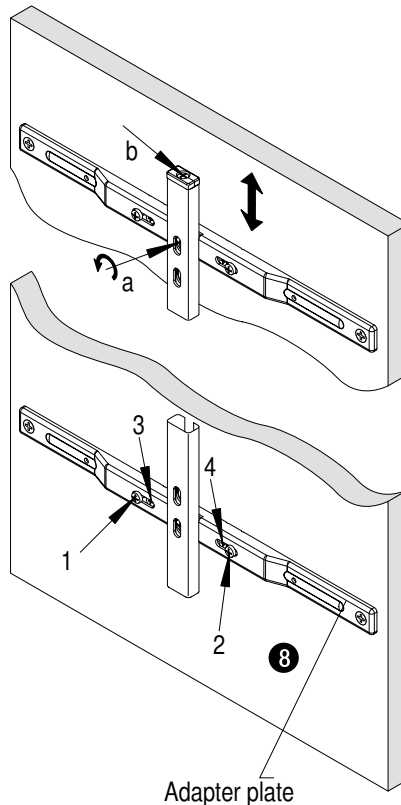
Plastic caps are not supplied with the item and must be ordered separately.

7 Door installation

Drill and screw adapter plate onto door as shown on adjacent diagram.

Fixing materials:

Panhead screws 4.0 x 20
or Euro screws 6.3 x 15

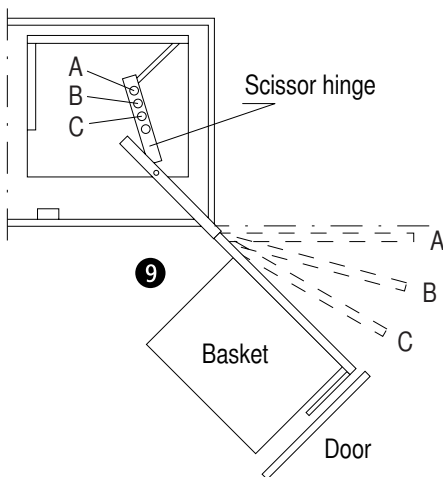


8 Door adjustment

Untighten fastening screws 1+2 to laterally adjust the front. Use screws 3+4 to correct any left- or right-hand front misalignments. Turn the screws to the left to move the front towards the cabinet, turn them to the right to move the front away from the cabinet. Then retighten screws 1+2 firmly.

9 Setting door opening angle

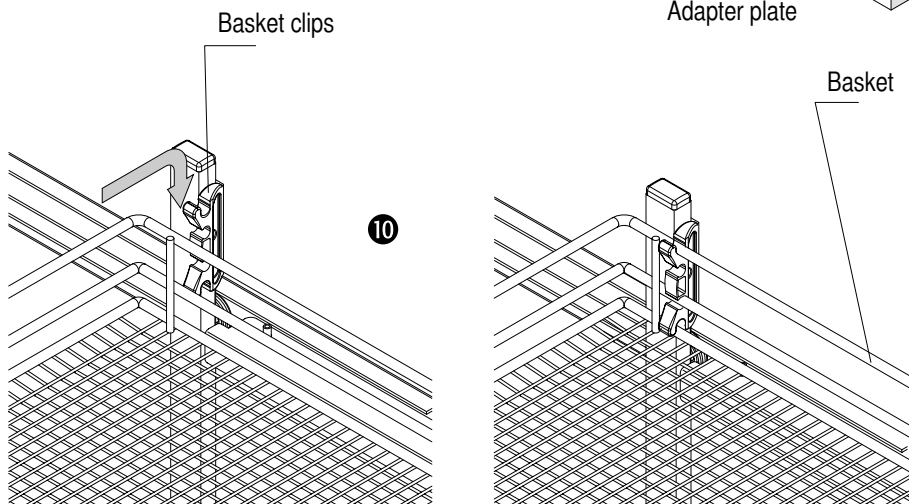
The opening angle of the door is set by loosening screw A. Now move plastic part to B or C and re-tighten.



10 Mounting the baskets

Fix the larger baskets to the basket bracket with the basket clips.

Fix the smaller baskets to the pull-out part with the basket clips.



Vauth-Sagel

Vauth-Sagel GmbH & Co.KG
Neue Straße 27
D-33034 Brakel-Erkeln
Tel. +49-52 72/6 01-01
Fax. +49-52 72/6 01-193

www.vauth-sagel.de
e-mail: VS@Vauth-Sagel.de